

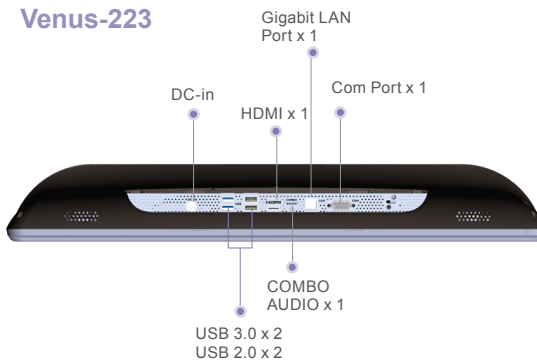
Mobile Cart Computer

Venus-223 / Venus-222

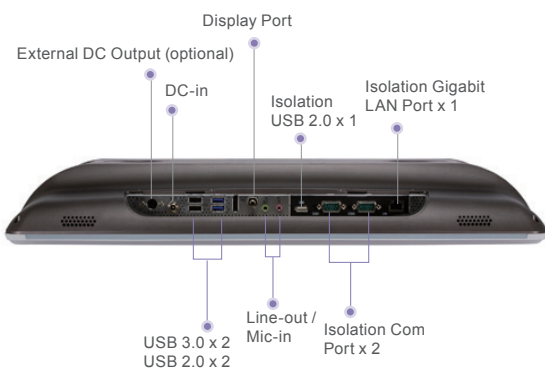
22" 24/7 Self-Power Medical Cart Computer



Venus-223



Venus-222



Features

- Highest level of medical safety protection , EMC4.0/ Safety 3.1
- Cleanability with hospital solvents (front IP65)
- Hot swappable design, support 24/7 run time
- Intel® Skylake Dual-Core i5 / Quad-Core J1900
- Support remote monitor/control/update (ORION compatible)
- Lightweight design
- Front reading light bar

Specifications

Main Specifications

	Venus-223	Venus-222
Processor	Intel® Skylake Dual-Core i5	Intel® Quad-Core J1900
System Memory	DDR4 up to 32GB	DDR3L up to 8G
OS Support	Microsoft® Windows 7 (32bit/64bit) Microsoft® Windows 8.1 (64bit) Microsoft® Windows 10 (64bit) Ubuntu 14.04 LTS IGEL (thin client solution)	Microsoft® Windows 7 (32bit/64bit) Microsoft® Windows 8.1 (32bit/64bit) Microsoft® Windows 10 (32bit / 64 bit) IGEL (thin client solution)
Graphics	Intel® HD Graphics 520	Intel® HD Graphics
Storage	SSD up to 512GB (optional)	
Wireless Communication	802.11 ac/a/b/g/n + BT 4.0 (optional)	
Camera	2MP/5MP camera (optional)	
Touch	PCT (optional), R-TS	
Speaker	2W x2	
Security	TPM 2.0 Smart Card Reader, RFID ISO 15693/14443A (optional)	TPM 1.2
Auto Brightness	Light sensor	

Display

Display Size	21.5" VA panel
Resolution	1920 x 1080
Max. Colors	16.7M
Contrast Ratio	3000:1
Luminance (cd/m2)	250

I/O

USB	Rear I/O : USB 3.0 x2, USB 2.0 x2 Side I/O : USB 3.0 x2	Rear I/O : USB 3.0 x2, USB 2.0 x2, Isolated USB x1 Side I/O : USB 3.0 x2
Video Out	HDMI 1.4 x1	DP x1
COM	COM port x1	Isolated COM port x2
Audio	Combo audio port x1	Mic-in x1, Audio-out x1
Security	Kensington slot	N/A
Ethernet	Gigabit LAN x1	
DC-in	24V DC-in x1	

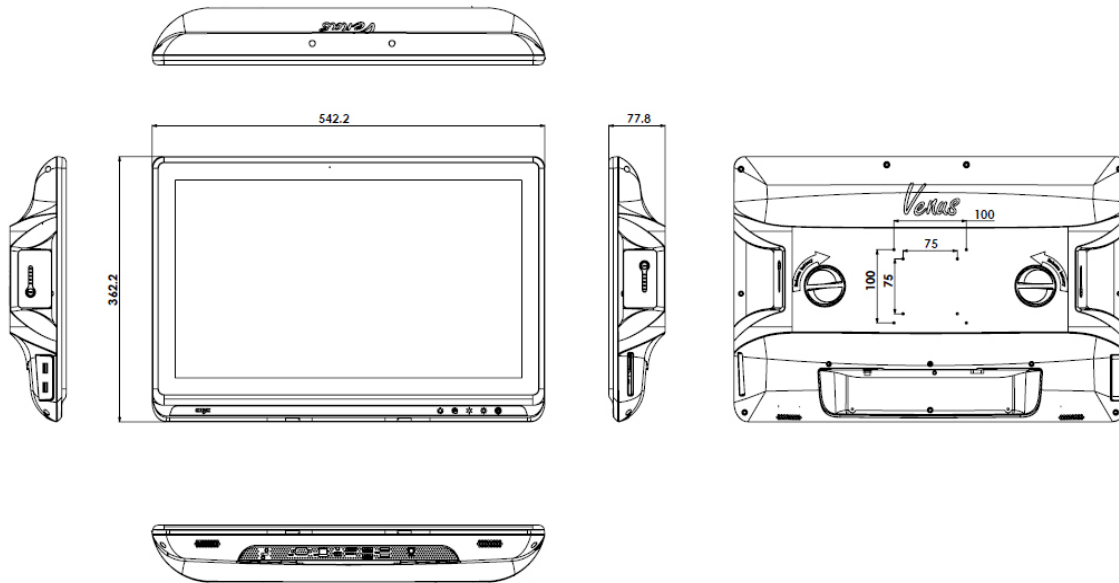
Mechanical and Environmental

VESA	75/100 mm VESA mount
Operating Temperature	0°C ~ 40°C(32°F ~ 104°F)
Storage Temperature	-20°C ~ 60°C(-4°F ~ 140°F)
Storage Humidity	10%~95%@35°C, non-condensing
Dimension	542(L) x 77(W) x 362(H) mm
Net Weight	7kg (15.4 lbs)
Packing Size	680(L) x 270(W) x 530(H) mm
Gross Weight	10.5kg (23.15 lbs)
Certifications	CE: EN 60601-1-2:2015(V4.0), EN 60601-1:2006/ A1:2013(V3.1) FCC: Part 18 Class B UL: ANSI/AAMI ES60601-1:2012 (V3.1) cUL: CAN/CSA-C22.2 No. 60601-1:2014 (V3.1)

ALL PRODUCT, PRODUCT SPECIFICATIONS AND DATA ARE SUBJECT TO CHANGE WITHOUT NOTICE TO IMPROVE RELIABILITY, FUNCTION OR DESIGN OR OTHERWISE.

22" 24/7 Self-Power Cart Computer

Dimension / Unit: mm



Ordering Information

- » VENUS-223ST-A5-1010
Cart Computer.i5 22".Fanless.PCT.4G RAM.SCR.TPM.XL Battery x2
- » VENUS-223ET-A5-1010
Cart Computer.i5 22".Fanless.R-TS.4G RAM.SCR.TPM.XL Battery x2
- » VENUS-222ET-A1-1010
Cart Computer. J1900. 22". Fanless. R-TS. 4GB RAM. SCR. TPM. Battery x2

Optional Accessories

- » 1255301501
Medical Adaptor. 100-240V/1.0-2.5A 24V/6.25A 150W
- » OPM-S02R-A0
RFID Reader Kit
- » OPM-C10W-A0
WLAN dual band module kits. INTEL 802.11ac/a/b/g/n+BT
- » OPM-C07W-A2
WLAN dual band module kits. Atheros 802.11a/b/g/n + BT 4.0
- » UP-L62-A1-1010
6-Slot Charger + adaptor 24V/250W
- » UP-P22-A2-1010
2-Slot Charger + Medical adaptor 24V/150W
- » OPM-V02C-02
2MP Camera Kit
- » OPM-V02C-01
5MP Camera Kit